

salton®



INSTRUCTIONS AND WARRANTY

**MODEL NO. SAC18
PORTABLE AIR COOLER**

Thank you for purchasing our Salton Portable Air Cooler. Please read the instructions carefully before using and keep safe for future reference. The following instructions will allow you to use this product to its maximum performance.

IMPORTANT SAFEGUARDS

When using your Salton Air Cooler, basic pre-cautions should always be followed including the following:

1. Please read the instructions carefully before using any appliance.
2. Always ensure that the voltage on the rating label corresponds to the mains voltage in your home.
3. Only use the air cooler for its intended use as described in this instruction manual.
4. The applicable temperature range is -20°C to 40°C.
5. The water in the tank should be changed regularly.
6. Do not cover the air cooler, restricting air flow will prevent correct operation.
7. Avoid any contact with moving parts.
8. Do not immerse the unit, plug or power cord in water or allow any liquid to come into contact with any part of the appliance.
9. Do not operate the unit with wet hands to avoid electric shock.
10. Close supervision is necessary when any appliance is used by or near children.
11. This appliance is not intended for use by persons (including children) with reduced physical, sensory or mental capabilities, or lack of experience and knowledge, unless they have been given supervision or instruction concerning use of the appliance by a person responsible for their safety.
12. Unplug the cooler from the power supply when not in use, when moving it from one location to another, before adding or removing parts and before cleaning
13. Do not use the appliance if it has been dropped or damaged in any way. In case of damage, take the unit in for examination and/or repair by an authorized service agent.
14. To avoid vibration, place the air cooler on a smooth level surface. Do not put the unit in an inclined or unbalanced position.
15. When the water tank is full and you intend to move the air cooler, push it slowly and gently to prevent water from overflowing.
16. Do not turn the unit upside down when there is water in the tank.
17. Never operate the air cooler with a damaged power cord or plug or after it has fallen or been damaged in any way. If the cord or the plug is

damaged, it must be replaced by the manufacturer or a qualified person in order to avoid an electrical hazard.

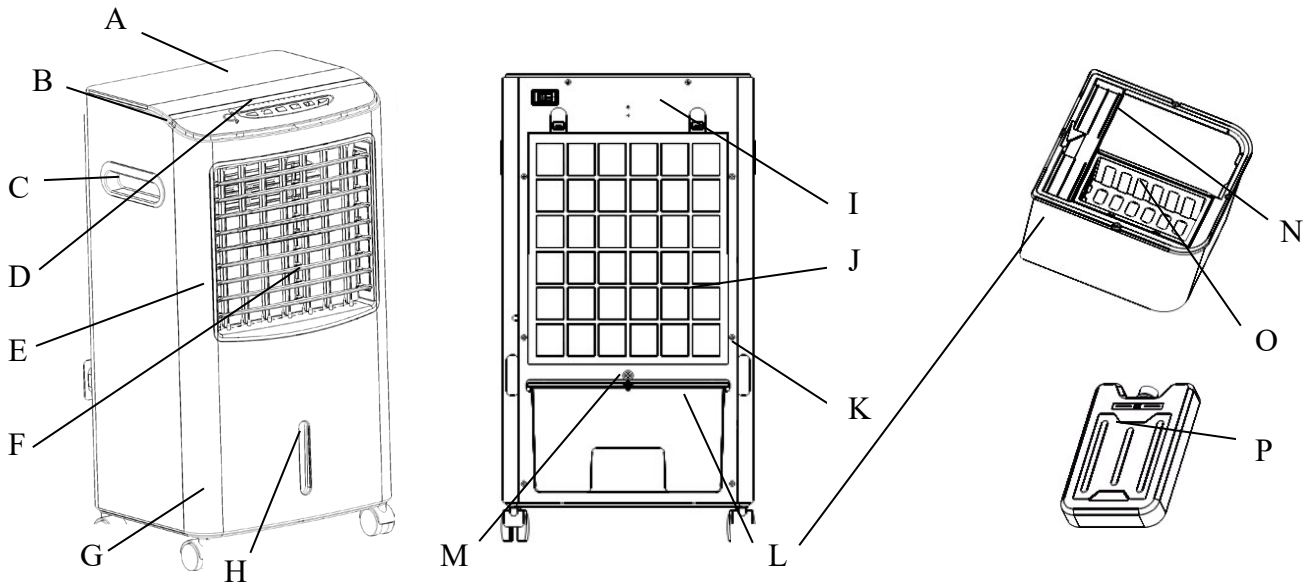
18. Do not allow objects to fall into the openings and do not insert objects through the guard when the air cooler is in operation.
19. Do not use outdoors.
20. Do not block air circulation.
21. To disconnect, grip the plug and pull from the wall outlet. Never unplug by pulling on the power cord.
22. Do not put heavy objects on top of the appliance.
23. Do not try to over extend or stretch the mains cable.
24. Use of an extension cord with this appliance is not recommended.
However, if it is necessary to use an extension cord, ensure that the cord is suited to the power consumption of the appliance to avoid overheating of the extension cord, appliance or plug point. Do not place the extension cord in a position where it can be pulled on by children or animals or tripped over.
25. Unplug the air cooler when not in use.
26. Never attempt to open any part or dismantle the controls. Responsibility for failure cannot be accepted if these instructions have been ignored and the warranty will become invalid.
27. The appliance is intended for household use only. Commercial use invalidates the warranty, and the supplier cannot be held responsible for injury or damage caused when using the appliance for any other purpose than that intended.
28. The manufacturer does not accept responsibility for any damage or injury caused by improper or incorrect use, or for repairs carried out by unauthorised personnel.
29. In case of technical problems, switch off the air cooler and do not attempt to repair it yourself. Return the appliance to an authorised service facility for examination, adjustment or repair. Always insist on the use of original spare parts. Failure to comply with the above mentioned pre-cautions and instructions, could affect the safe operation of this air cooler

Note: The product you have purchased is an air cooler. This room sized evaporative cooler is suitable for areas with a warm climate and a relatively low humidity.

HINTS FOR BETTER COOLING

- Your air cooler needs to be well ventilated
- Place the air cooler near an open window on the shady side of the room.
- Place the air cooler near the doorway. The air cooler will draw cool air in from other parts of the house and bring the temperature down further.
- Start the air cooler when the room is still cool.
- Please ensure that there is always water in the cooler.

PARTS DIAGRAM



A - Top cover

D - Control panel

G - Castor wheel

J - Dust-proof bracket

M - Small knob

P - Ice pack

B - Side panel

E - Front cover

H - Water indicate window

K - Cord hook

N - Water tank cover

C - Handle

F - Louver frame

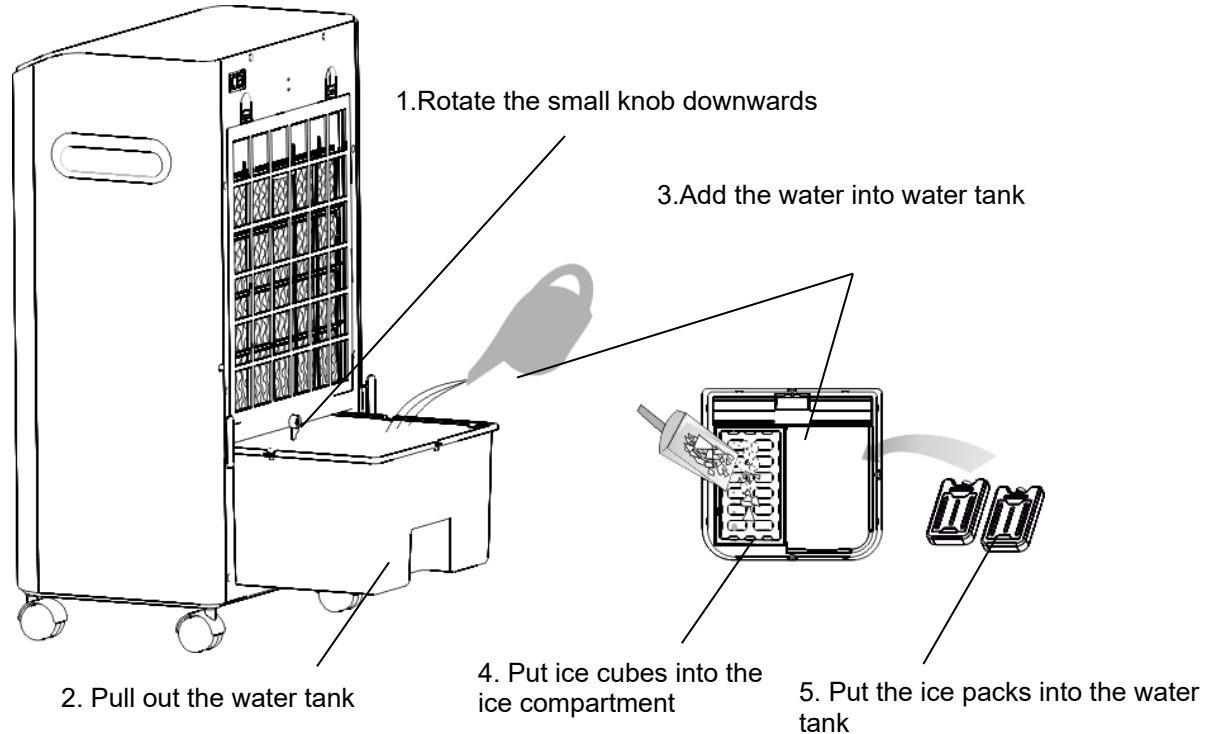
I - Rear cover

L - Water tank

O - Ice basket

OPERATING INSTRUCTIONS

FILLING THE AIR COOLER



NOTE: Always ensure the air cooler is disconnected before filling the water tank

- The water tank must be opened by gently pulling it outward. The water tank must not be pulled outward so that it detaches from the unit and not too much force must be used as it is attached to other components in the air cooler.
- Ensure that the drainage plug at the base of the cooler is firmly in place. When pulling out the water tank this drainage plug can be seen in the bottom right-hand corner of the water tank.
- Pour water into the **small** compartment until the water level is between “Min” and “Max” – as viewed through the window of the water level indicator

Do not overfill the reservoir of the water tank because water could spill over the sides of the tank and into the cooler operating mechanisms.

NB - Do not use hot water.

USING THE ICE PACKS

- Ensure that the ice packs are filled with water, but no more than two-thirds full.
- Place the ice packs in the freezer and make sure that they are frozen thoroughly.
- Place the frozen packs into the water tank with water in. Approximately ten minutes later, the temperature inside the tank will be 8°C lower than the ambient temperature.
- Two ice packs are provided with the air cooler. The cooling effect can last for up to four hours

WATER CONSUMPTION

- The water consumption rate of the air cooler varies depending on room temperature and relative humidity
- Please keep the water level at an appropriate level below the “MAX” level.
- Please keep the water level above the “MIN” level when using the cool function.
- Please disconnect the power supply while adding water.

OPERATING YOUR AIR COOLER

- **On/Off:** Pressing the “On/Off” button while in standby mode, switches the unit on. Pressing the button again returns the unit to standby.
- **Speed:** With the unit switched on, repeatedly pressing this button selects between High, Medium and Low fan speed. The selection is shown by the panel lights.
- **Mode:** With the unit switched on, repeatedly pressing this button selects between Normal, Nature and Sleep wind patterns. The selection is shown by the panel lights.
- **Cool:** With the unit switched on, pressing this button activates the cooling feature. Pressing this button again switches off the feature. The selection is shown by the panel light being either on or off.
- **Swing:** With the unit switched on, pressing this button activates the horizontal swing mechanism that will distribute cooled air around the room. Pressing this button again switches off the feature. The selection is shown by the panel light

- **Ionizer:** With the unit switched on, pressing this button activates the ionizer feature that release negative ions into the air. Pressing this button again switches off the feature. The selection is shown by the panel light.

NOTE: Do not use any type of perfume, air freshener, disinfectant or similar products in the air cooler. This appliance is to be used with water only.

TIMER FUNCTION

- Each time the “Timer” button is pressed, the time increases in 0.5hr increments up to a total time of 7.5hr.
- The total time selected will be the sum of the time indicated by the lights.
- The various times can be selected by pressing the “Timer” button on the control panel or by using the remote control.
- The air cooler will automatically switch off once the chosen time has elapsed.
- If no time is selected, the air cooler will continue operating until switched off.

REMOTE CONTROL

The remote control buttons work the same way as the control panel on the unit. Before using the remote control remove the back cover and insert two x AAA batteries, ensuring the polarity of the batteries matches the markings on the remote. Replace the remote control back cover.

IMPORTANT NOTES

- The range of the remote control is 5 metres.
- AAA batteries are not included and should be purchased separately from your local supplier
- The remote control must be pointed directly at the air cooler for it to function effectively.
- Do not obstruct the air outlet in any way when the unit is in operation.
- The unit is to be used indoors only.
- If in continuous use the filter must be cleaned every 20-30 days to ensure optimum performance.

CLEANING AND MAINTAINANCE

Reminder: Regular cleaning is essential for optimum performance

- Do not use chemical cleaning agents.
- Disconnect the power supply before cleaning the air cooler to avoid electric shock.

1. Cleaning the air filter and filter screen

Disconnect power supply and remove the air filter screen. Remove the filter and rinse it with tap water. Use a banister brush to clean the plastic filter mesh, wash it with tap water and let it dry.

2. Cleaning the water tank

Disconnect power supply and pull out the water tank, please note it does not completely detach from the unit. Remove the dirt in the tank by using a wet towel to remove any dirt.

3. Cleaning the body

Disconnect the power supply. Clean the body with a mild detergent and a soft and damp cloth. Do not allow water to get in or on the control panel.

TROUBLE SHOOTING

1. **If the air is not cool:**
 - a. Ensure that there is water in the cooler.
 - b. Make sure that the rotating filter pad is moving.
 - c. Make sure the window or door is open and that there is sufficient ventilation
 - d. Switch the cooler on in the morning before it gets too hot.
 - e. If the room size is large, try to cool specific areas instead if the whole room.

3. **If water is leaking from the unit:**
 - a. Make sure that the drainage plug is firmly in place.
 - b. Check that the water reservoir is not overfilled.
 - c. Ensure that the ice tray is not overfilled.

STORING THE APPLIANCE

- At the start and at the end of the season, remove the filters and wash with mild detergent as per the instructions in this book. Let the filters dry completely before replacing in the unit.
- Drain the water reservoir and wipe it dry.
- Wipe the outside of the air cooler with a damp cloth and buff with a soft dry cloth.
- Remove the batteries from the remote control.
- Store the air cooler in its original packaging when not in use.
- Store unit in a cool dry place

SERVICING THE APPLIANCE

There are no user serviceable parts in this appliance. If the air cooler is not operating correctly, please check the following:

- You have followed the instructions correctly
- That the unit has been wired correctly and that the wall socket is switched on.
- That the mains power supply is ON.

If the appliance still does not work after checking the above:

- Consult the retailer for possible repair or replacement. If the retailer fails to resolve the problem and you need to return the appliance, make sure that:

- The unit is packed carefully into its original packaging.
- Proof of purchase is attached.
- A reason is provided for why it is being returned.

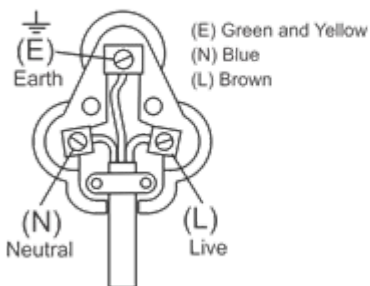
If the supply cord is damaged, it must be replaced by the manufacturer or an authorized service agent in order to avoid any hazard. If service becomes necessary within the warranty period, the appliance should be returned to an approved Home of Living Brands (Pty) Ltd service centre. Servicing outside the warranty period is still available, but will, however, be chargeable.

CHANGING THE PLUG

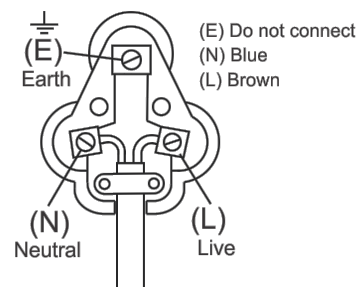
Should the need arise to change the fitted plug, follow the instructions below.

This unit is designed to operate on the stated current only. Connecting to other power sources may damage the appliance.

WARNING: If your appliance has three wires (Green/Yellow, Blue, Brown) then it **MUST** be earthed. Connect a three pin plug as shown below



If your appliance has only two wires (Blue, Brown) then it does not need to be earthed. Connect a three pin plug as shown below



PLEASE AFFIX YOUR PROOF OF PURCHASE/RECEIPT HERE
IN THE EVENT OF A CLAIM UNDER WARRANTY THIS RECEIPT MUST BE PRODUCED.

WARRANTY

1. Home of Living Brands (Pty) Limited (“Home of Living Brands”) warrants to the original purchaser of this product (“the customer”) that this product will be free of defects in quality and workmanship which under normal personal, family or household use and purpose may manifest within a period of 1 (one) year from the date of purchase (“warranty period”).
2. Where the customer has purchased a product and it breaks, is defective or does not work properly for the intended purpose, the customer must notify the supplier from whom the customer bought the product (“the supplier”) thereof within the warranty period. Any claim in terms of this warranty must be supported by a proof of purchase. If proof of purchase is not available, then repair, and/or service charges may be payable by the customer to the supplier.
3. The faulty product must be taken to the supplier's service centre to exercise the warranty.
4. The supplier will refund, repair or exchange the product in terms of this warranty subject to legislative requirements. This warranty shall be valid only where the customer has not broken the product himself, or used the product for something that it is not supposed to be used for. The warranty does not include and will not be construed to cover products damaged as a result of disaster, misuse, tamper, abuse or any unauthorised modification or repair of the product.
5. This warranty will extend only to the product provided at the date of the purchase and not to any expendables attached or installed by the customer.
6. If the customer requests that the supplier repairs the product and the product breaks or fails to work properly within 3 (three) months of the repair and not as a result of misuse, tampering or modification by or on behalf of the customer, then the supplier may replace the product or pay a refund to the customer.
7. The customer may be responsible for certain costs where products returned are not in the original packaging, or if the packaging is damaged. This will be deducted from any refund paid to the customer.

HOME OF LIVING BRANDS (PTY) LTD (JOHANNESBURG)

NATIONAL CONTACT NO. 087 245 0029

JOHANNESBURG

TEL NO. (011) 490-9600

www.homeoflivingbrands.com

www.salton.co.za